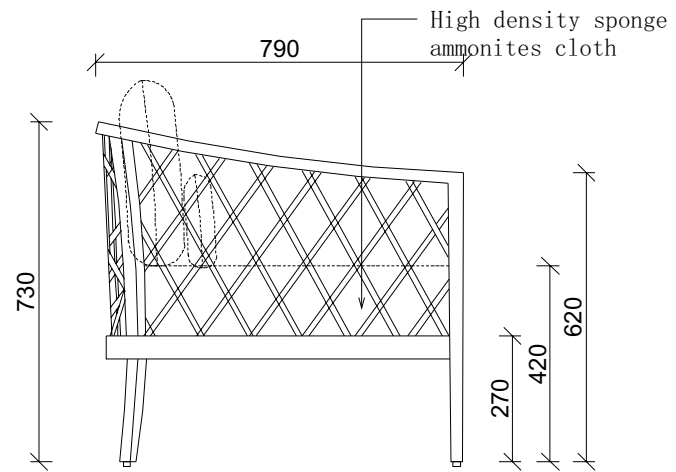


01 FRONT ELEVATION
SCALE 1:3



02 SIDE ELEVATION
SCALE 1:3



03 IMAGE REFERENCE
SCALE NTS

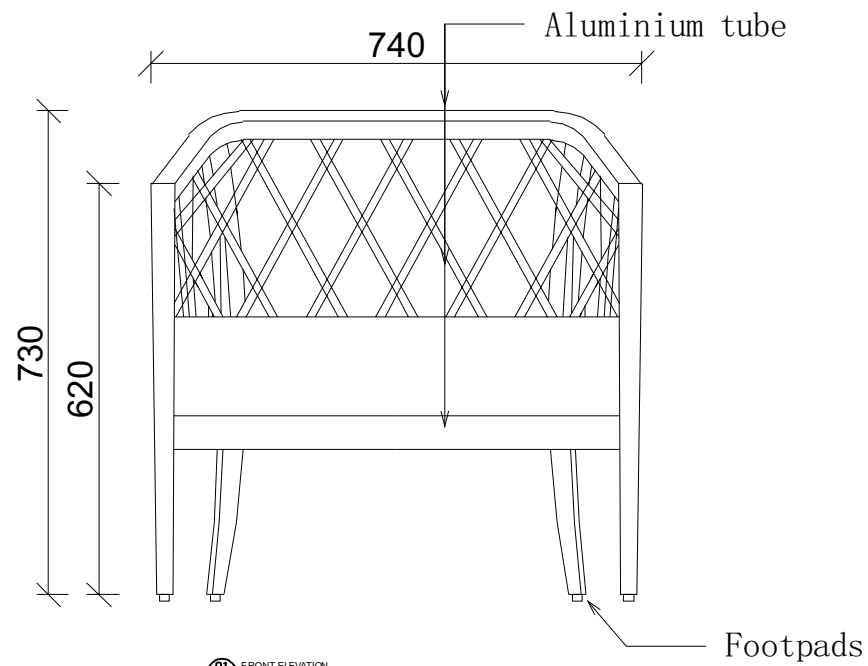


RELEVANT SHOP DRAWINGS & RFI

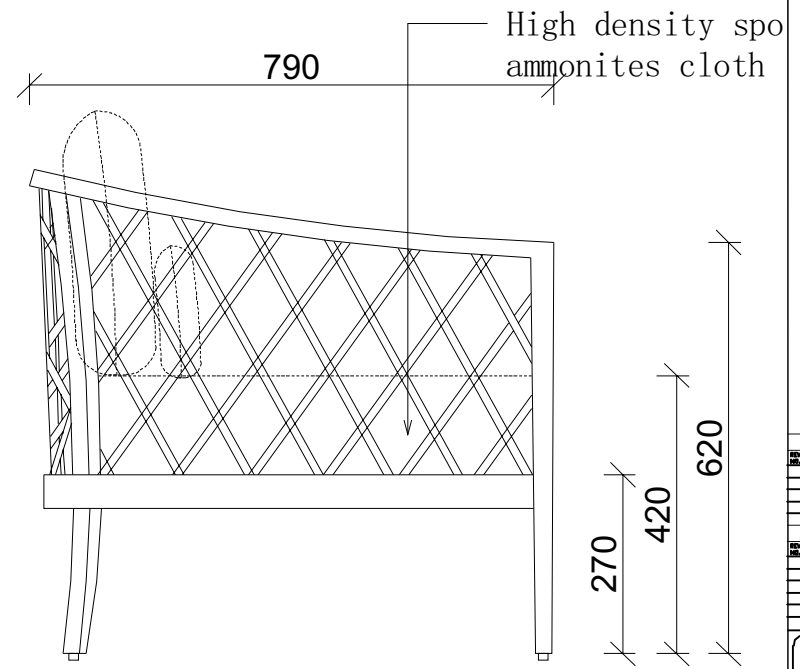
REV	DATE	ISSUING MEMBER	ISSUING TITLE

REVISION DETAILS

REV	DATE	DESCRIPTION	ISSUED BY	CHECKED BY	DATE



01 FRONT ELEVATION
SCALE 1/3



02 SIDE ELEVATION
SCALE 1/3



03 IMAGE REFERENCE
SCALE NTS

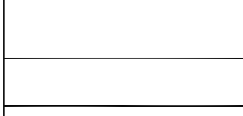
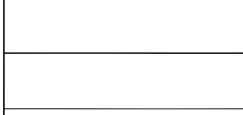
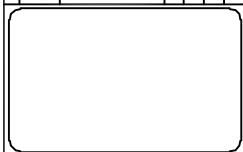


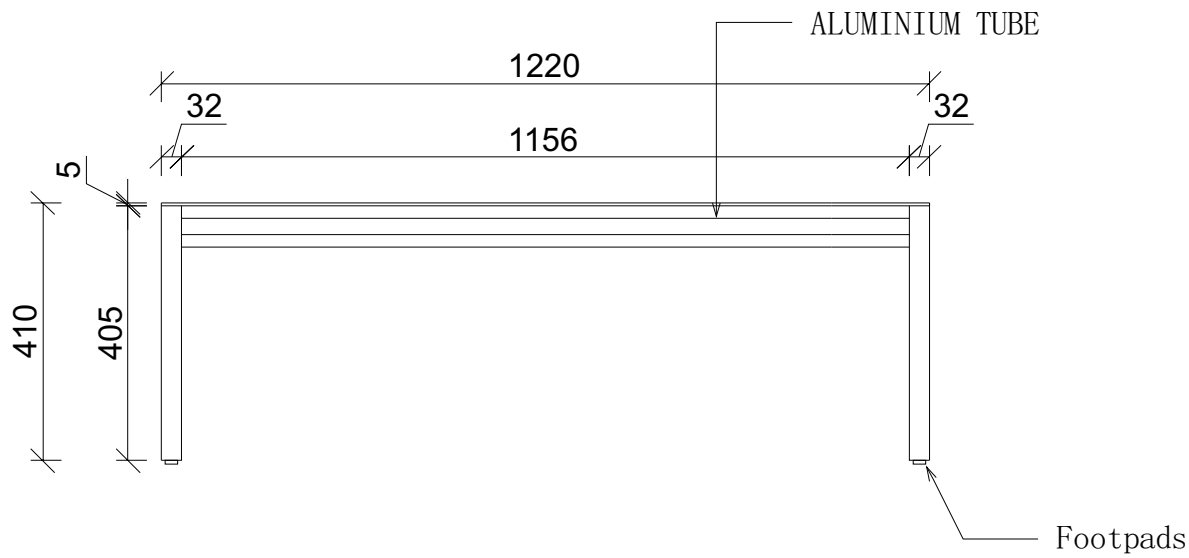
RELEVANT SHOP DRAWINGS & RFI

REV	DATE	ISSUING REASON	ISSUING TITLE

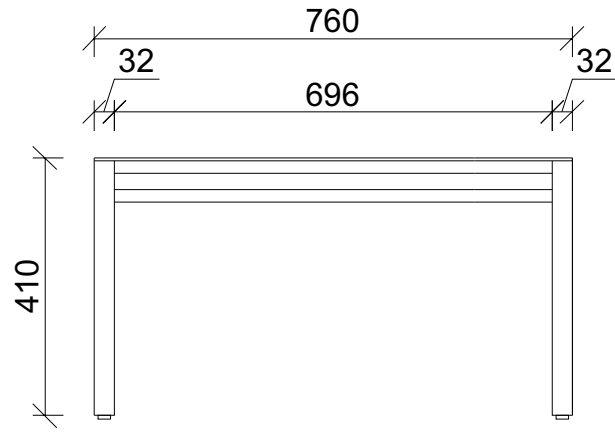
REVISION DETAILS

REV	DATE	DESCRIPTION	ISSUED BY	CHECKED BY	DATE

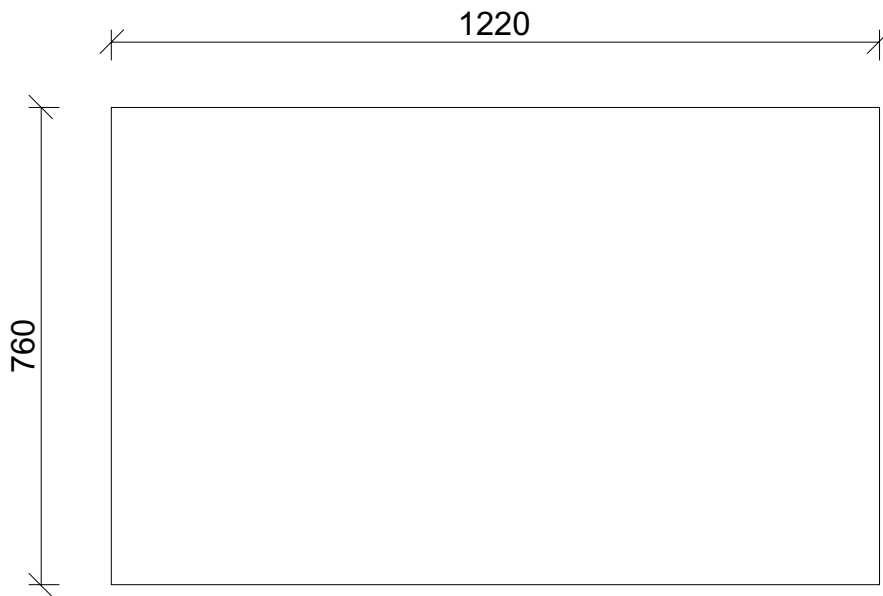




01 FRONT ELEVATION
SCALE 1/3



02 SIDE ELEVATION
SCALE 1/3



03 IMAGE REFERENCE
SCALE NTS



RELEVANT SHOP DRAWINGS & RFI

REV	DATE	ISSUING MEMBER	ISSUING TITLE

REVISION DETAILS

REV	DATE	DESCRIPTION	ISSUED BY	CHECKED BY	DATE

